

## Single lamp pendant

# 440001CH-LED

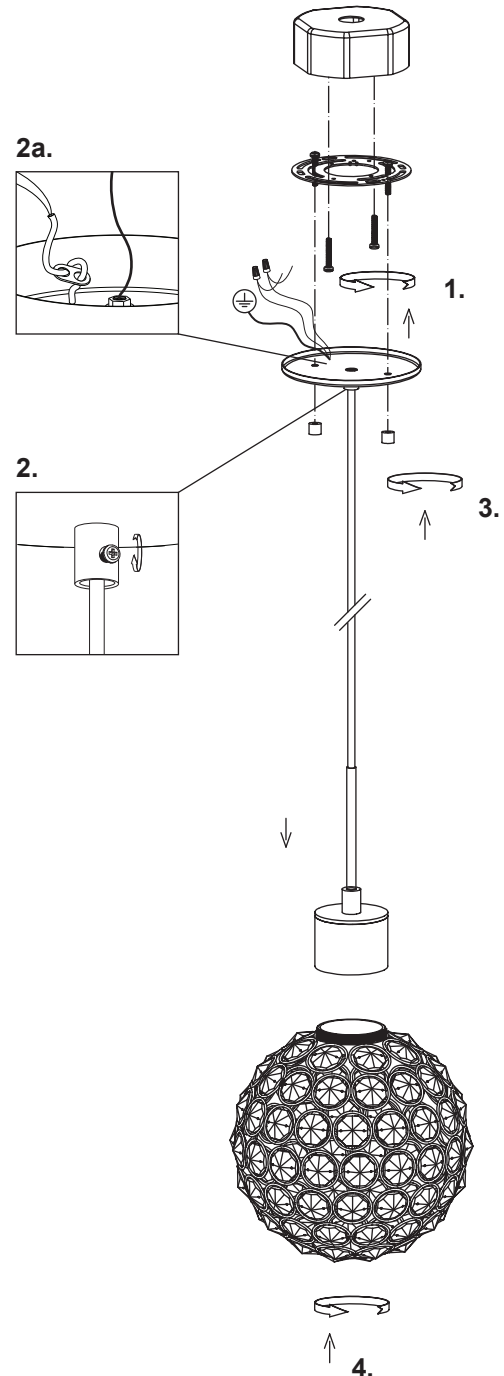
## INSTALLATION SHEET

- 1.** Remove the fixture from its original packaging. Remove the canopy mounting plate from within the canopy and attach it to the electrical junction box on the ceiling using the two screws provided in the hardware package.
- 2.** Select the desired length you would like the fixture to hang down from the ceiling (72" maximum). To set the fixture hanging height undo the wire strain relief in the center of the canopy until the electrical wire can move freely. When you have achieved the desired length tighten the wire strain relief in the center of the canopy. (2a) Slide the wire safety grip down the wire until it is as close as possible to where the wire enters the inside of the canopy to firmly lock the wire in place.
- 3.** Once your fixture is completely together you can now attach the canopy to the mounting plate, which is attached to the electrical junction box on the ceiling. First attach all wiring with the provided marrets (white to white "N", black to black "L", ground to ground "G"). Align the two holes from the canopy to the two screws pointing down from the mounting plate. Push the screws through the canopy plate so they are poking through, once this is complete you can screw on the decorative nuts until tight.
- 4.** Install the crystal sphere onto the fixture. Take the crystal sphere and gently guide it into the fixture, then carefully turn the sphere in a clockwise motion in order to screw the crystal sphere firmly into place (do not over tighten).
- 5.** You have now completed the installation of your fixture, please enjoy.

### START FROM HERE

- Make sure power is completely off at the fuse box.
- Have your fixture installed by a qualified licensed electrician
- Prepare everything in clear area.
- Wear gloves at all times during this installation.
- Read instructions carefully before you start assembly.
- Keep this instruction sheet for future reference.

**Technical Support:** 1-877-452-6858



**KUZCO**  
LIGHTING

19054 28th Avenue Surrey, BC Canada V3Z 6M3  
T: 604 538 7162 TF: 1-855 85 KUZCO F: 604 538 7196  
W: kuzcolighting.com